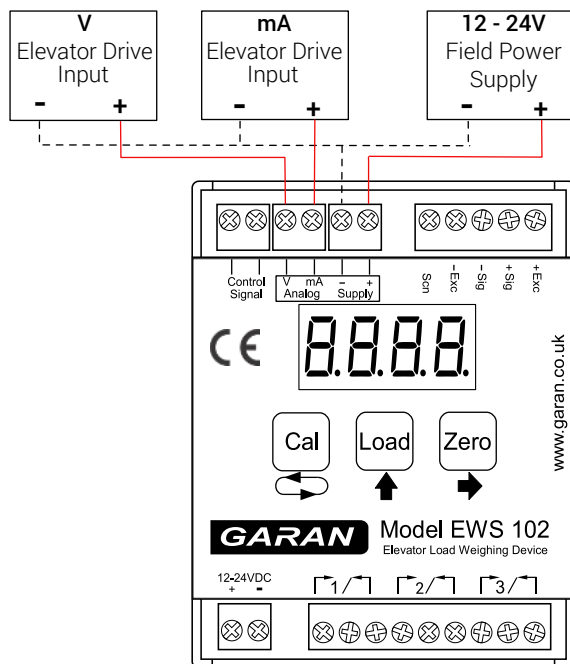


EWS-102 CONTROL UNIT ANALOG SUPPLEMENTARY INFORMATION

Wiring Schematic



Note:

The analogue output section is galvanically isolated from the instrument power, hence the separate field supply.

If isolation isn't required, the instrument power supply can also be the field power supply.

Analog Output Selection

For further information refer to EWS-102 Analog Calibration & Setup sheet.

There are seven selectable output ranges available. To view the current value press \rightarrow then use \uparrow to scroll through output types. Select and save required option by pressing \leftrightarrow

	Output type 4-20mA.	4mA = no load, 20mA = full load
	Output type 0-20mA.	0mA = no load, 20mA = full load
	Output type 0-24mA.	0mA = no load, 24mA = full load
	Output type 0-5V.	0V = no load, +5V = full load
	Output type +/-5V	-5V = no load, 0v + half load, +5V = full load
	Output type +/-10V	-10V = no load, 0v + half load, +10V = full load

Note

Calibration and set up can be carried out on any floor, but the EWS 102 must be re-zeroed at the lowest floor to finalise the Analog output calibration.