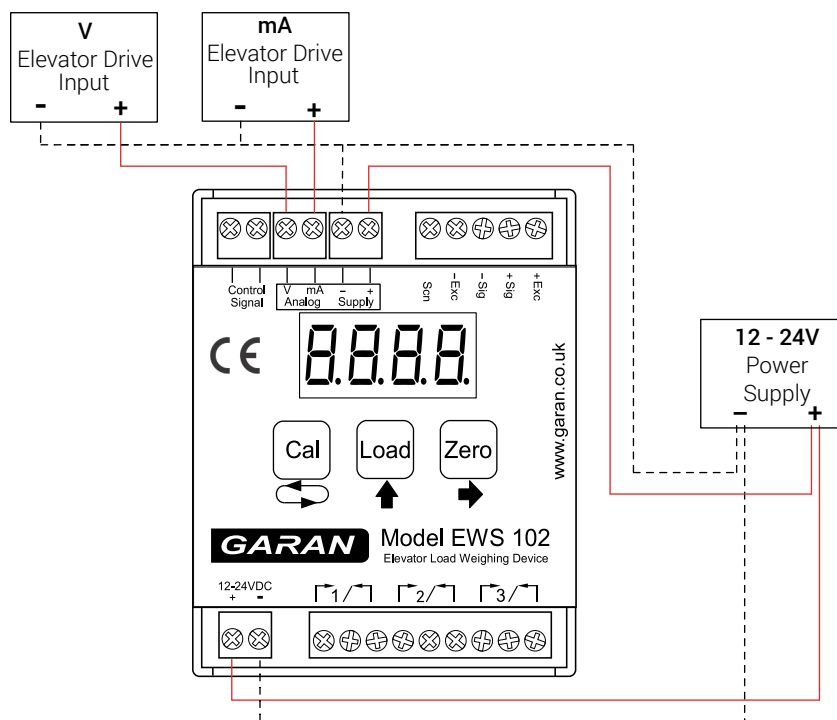


EWS-102 CONTROL UNIT ANALOG SUPPLEMENTARY INFORMATION

Wiring Schematic



Analog Output Selection

For further information refer to EWS-102 Analog Calibration & Setup sheet.

There are seven selectable output ranges available. To view the current value press **➡** then use **⬆** to scroll through output types. Select and save required option by pressing **↺**

4-20	Output type 4-20mA.	4mA = no load, 20mA = full load
0-20	Output type 0-20mA.	0mA = no load, 20mA = full load
0-24	Output type 0-24mA.	0mA = no load, 24mA = full load
0-5	Output type 0-5V.	0V = no load, +5V = full load
0-10	Output type 0-10V.	0V = no load, +10V = full load
6.5	Output type +/-5V	-5V = no load, 0v + half load, +5V = full load
6.10	Output type +/-10V	-10V = no load, 0v + half load, +10V = full load

Note

Calibration and set up can be carried out on any floor, but the EWS 102 must be re-zeroed at the lowest floor to finalise the Analog output calibration.