

## MODEL CCT-B SPECIFICATION

These cabin sensors are designed for large passenger and goods elevators



### Metrology and Electrical Specifications

Rated Output	2 +/- 0.1%	mV/V
Zero Balance	0.2	+/- mV/V
Total Error	0.25	+/-% of applied load
Nominal input voltage	10	VV
Maximum input voltage	15	VV
Input resistance	415 +/- 20	ohms
Output resistance	350 +/- 3	ohms

### Product Description

The Model CCT-B shear beam sensor is supplied with its own integral rubber mounting arrangement, specifically designed for installation below the elevator car. It is supplied in matched groups of up to six sensors per lift car, dependant on load. It comprises a full Wheatstone bridge allowing for individual sensors to be swapped out.

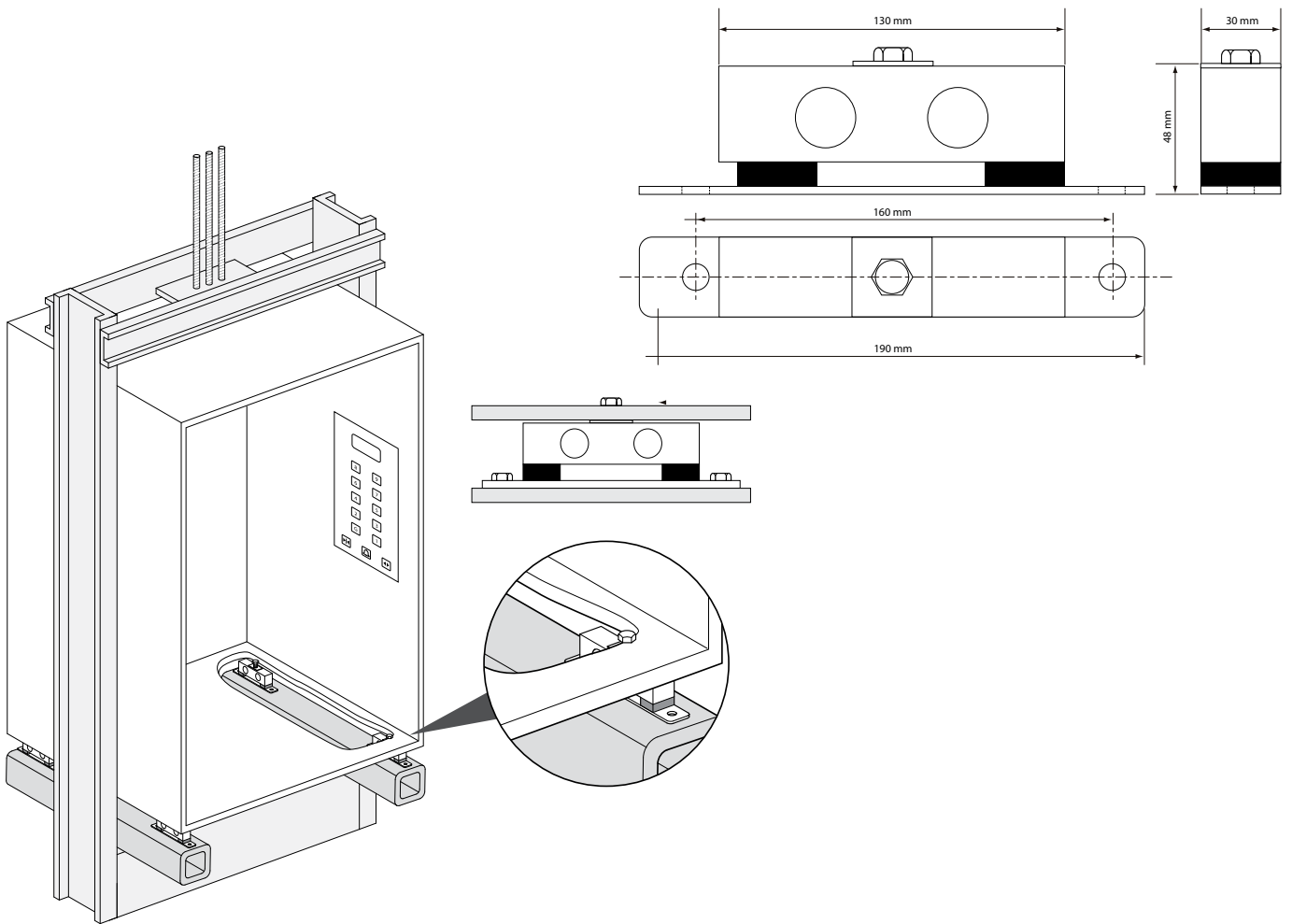
### General Specifications

Overload	150	% rated load
Ultimate load	300	% rated load
Temperature range	-30 to +70	C
Protection	IP65	
Material	Anodized Aluminum	
Cable length	6	Metres

### Cabin Sensor

Anodised aluminium construction  
 Up to 8000kg load (4 Sensors)  
 High accuracy  
 Matched outputs  
 Individual sensor can be replaced  
 Perfect for new installations

## Technical Illustrations



## Wiring Schematic Diagram

