

## MODEL CRT-B SPECIFICATION

Single rope sensor designed to be used on the elevator 8-14mm ropes.



### Metrology and Electrical Specifications

Rated Output	2 +/- 0.02%	mV/V
Zero Balance	+/- 1%	rated load
Total Error	0.5	rated load
Nominal input voltage	10	load
Maximum input voltage	15	VV
Input resistance	1060 +/- 10	ohms
Output resistance	1000 +/- 2	ohms

### Product Description

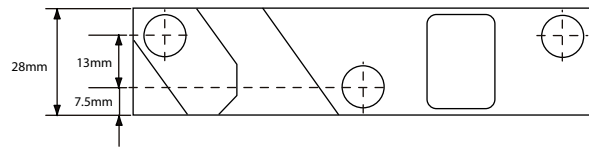
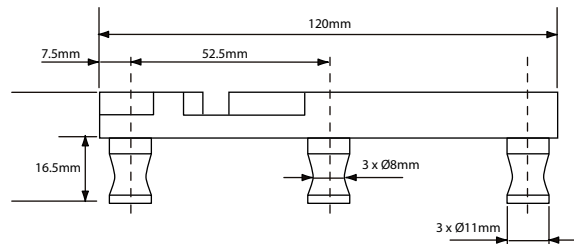
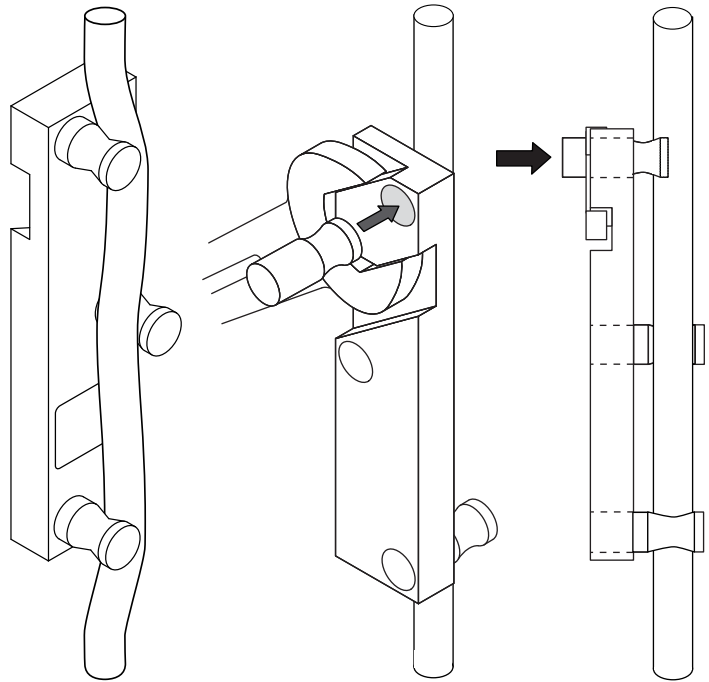
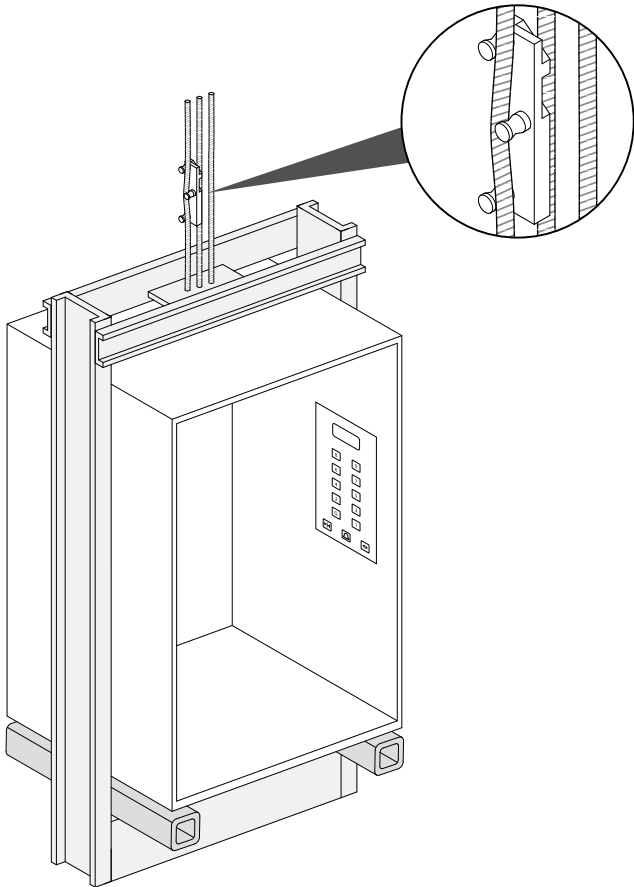
The rope sensor system combines an alloy steel sensor with three steel pins for fixing to a single elevator rope. Simple installation makes them ideal for retrofit applications.

### General Specifications

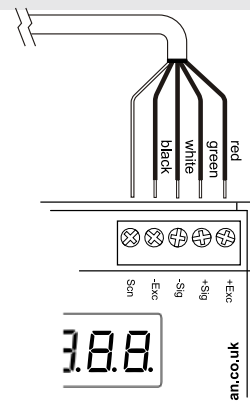
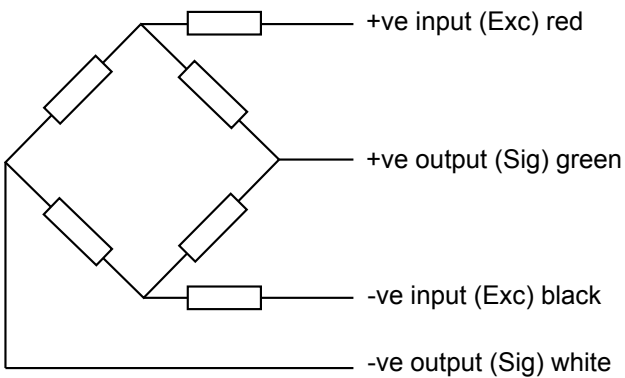
Overload	150	% rated load
Ultimate load	200	% rated load
Temperature range	-30 to +70	C
Protection	IP65	
Material	Steel Alloy	

### Rope Sensor

Alloy steel construction  
 Suitable for rope sizes 8mm - 14mm  
 Ease of installation



## Wiring Schematic Diagram



Unit W4/5 Capital Point  
Capital Business Park  
Wentloog Avenue  
CARDIFF CF3 2PW

(t) +44 (0) 29 2062 5964  
(f) +44 (0) 29 2062 5958  
(e) info@garan.co.uk  
(w) www.garan.co.uk