

MODEL CCT-A SPECIFICATION

The sensors are designed to be used under the elevator cabin.



Metrology and Electrical Specifications

Rated Capacities	800kg	Kg
Rated Output	2 +/- 0.02%	mV/V
Zero Balance	1%	+/- mV/V
Total Error	0.5	+/-% of applied load
Nominal input voltage	10	VV
Maximum input voltage	15	VV
Input resistance	1030 +/- 10	ohms
Output resistance	1000 +/- 2	ohms

Product Description

The Model CCT-A shear beam sensor is supplied with its own integral rubber mounting arrangement, specifically designed for installation below the elevator car. It is supplied in matched groups of up to six sensors per lift car, dependent on load. It comprises a full Wheatstone bridge allowing for individual sensors to be swapped out.

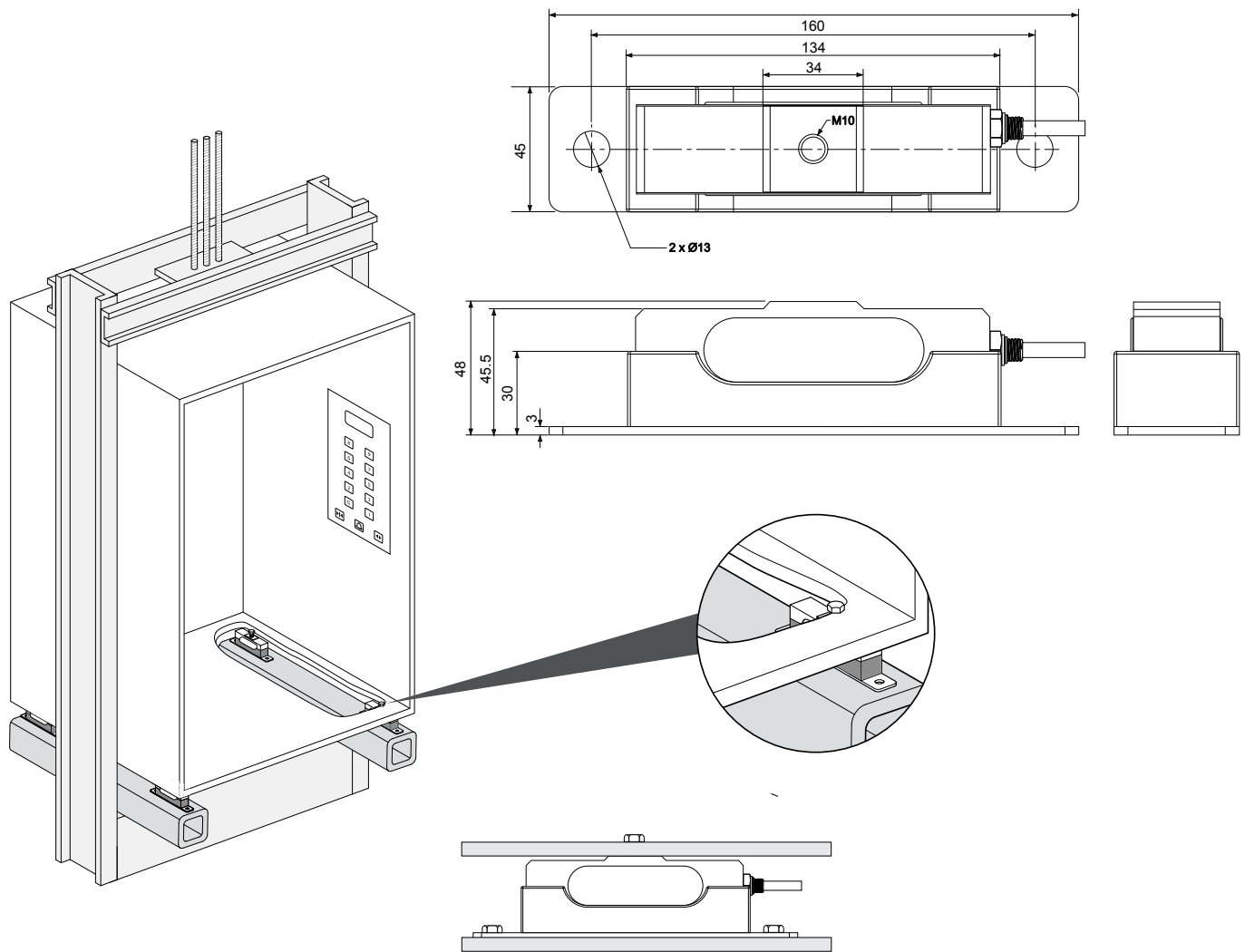
General Specifications

Overload	150	% rated load
Ultimate load	200	% rated load
Temperature range	-30 to +70	C
Protection	IP65	
Material	Anodized Aluminum	
Cable length	5	Metres

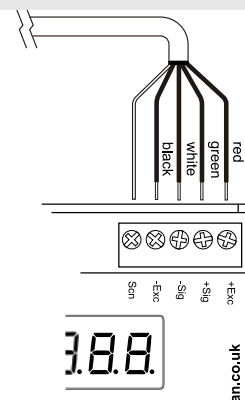
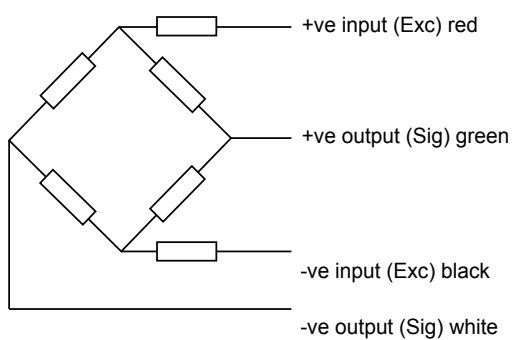
Cabin Sensor

Anodised aluminium construction
 Up to 3000kg load (4 sensors)
 High accuracy
 Matched outputs
 Individual sensor can be replaced
 Perfect for new installations

Technical Illustrations



Wiring Schematic Diagram



Unit W4/5 Capital Point
Capital Business Park
Wentloog Avenue
CARDIFF CF3 2PW

(t) +44 (0) 29 2062 5964
(f) +44 (0) 29 2062 5958
(e) info@garan.co.uk
(w) www.garan.co.uk